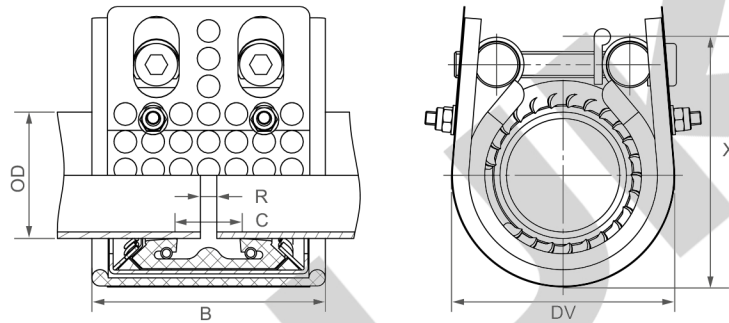


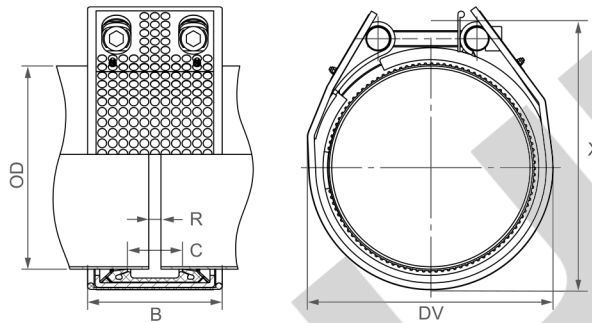
Components / Materials	W1	W2	W4	W5
Casing		AISI 316 L		AISI 316 L or similar
Bolts		AISI 4135		A4 - 80
Bars		AISI 12L14, galvanised		AISI 316 L or similar
Anchoring rings		AISI 301		AISI 301
Strip insert (option)		AISI 316 L or similar / PVDF		AISI 316 L or similar / PVDF

<b>Sealing sleeve EPDM</b>	Temp.: -30°C up to +100°C Medium: all qualities of water, waste water, air, solids and chemical products
<b>Sealing sleeve NBR</b>	Temp.: -20°C up to +80°C Medium: water, gas, oil, fuel and other hydrocarbons



OD [mm]	Clamping range [mm]	PN [bar]	PN [bar]	B [mm]	C [mm]	DV [mm]	X [mm]	R without strip insert [mm]	R with strip insert [mm]	Torque rate [Nm]	Allen head [mm]	Thread M...
30.0	29.5 - 30.5	67	16	46/67	18	57	61	5	5	10	6	8
33.7	33.2 - 34.2	62	16	46/67	18	62	68	5	5	10	6	8
38.0	37.5 - 38.5	58	16	71	19	68	78	5	5 - 10	15	6	8
42.4	41.9 - 42.9	53	16	71	20	72	81	5	5 - 10	15	6	8
44.5	44.0 - 45.0	48	16	71	20	74	85	5	5 - 10	15	6	8
48.3	47.8 - 48.8	44	16	71	20	78	88	5	5 - 10	15	6	8
54.0	53.5 - 54.5	39	16	87	38	84	94	5	5 - 15	15	6	8
57.0	56.4 - 57.6	37	16	87	32	87	97	5 - 10	5 - 25	15	6	8
60.3	59.7 - 60.9	37	16	87	32	87	100	5 - 10	5 - 25	15	6	8
63.5	62.9 - 64.1	37	16	87	32	94	103	5 - 10	5 - 25	15	6	8
76.1	75.3 - 76.9	56	16	110	39	110	122	5 - 10	5 - 25	35	8	10
84.0	83.2 - 84.8	45	16	110	39	122	128	5 - 10	5 - 25	35	8	10
88.9	88.0 - 89.8	41	16	110	39	127	128	5 - 10	5 - 25	35	8	10
104.0	103.0 - 105.0	37	16	110	39	143	156	5 - 10	5 - 25	35	8	10
108.0	106.9 - 109.1	35	16	110	39	143	156	5 - 10	5 - 25	35	8	10
114.3	113.2 - 115.4	34	16	110	39	149	162	5 - 10	5 - 25	35	8	10
129.0	127.7 - 130.3	33	16	124	43	170	187	5 - 15	5 - 25	60	10	12
133.0	131.7 - 134.3	33	16	125	43	170	187	5 - 15	5 - 25	60	10	12
139.7	138.3 - 141.1	32	16	125	43	178	196	5 - 15	5 - 25	60	10	12
154.0	152.5 - 155.5	32	16	125	51	196	215	5 - 15	5 - 25	60	10	12
159.0	157.4 - 160.6	31	16	125	43	197	215	5 - 15	5 - 25	60	10	12
168.3	166.6 - 170.0	29	16	125	43	210	225	5 - 15	5 - 25	60	10	12
219.1	216.9 - 221.3	26	16	166	60	269	293	5 - 15	5 - 35	100	14	16

Components / Materials	W1	W2	W4	W5
Casing	AISI A738, hot-dip galvanised			
Bolts	AISI 4135			
Bars	AISI 12L14, galvanised			
Anchoring rings	AISI 301			
Strip insert (option)	AISI 316 L or similar / PVDF			
<b>Sealing sleeve</b>	Temp.: -20°C up to +100°C			
<b>EPDM</b>	Medium: all qualities of water, waste water, air, solids and chemical products			
<b>Sealing sleeve</b>	Temp.: -20°C up to +80°C			
<b>NBR</b>	Medium: water, gas, oil, fuel and other hydrocarbons			



OD [mm]	Clamping range [mm]	PN [bar]	PN [bar]	B [mm]	C [mm]	DV [mm]	X [mm]	R without strip insert [mm]	R with strip insert [mm]	Torque rate [Nm]	Allen head [mm]	Thread M...
244.5	242.0 - 247.0	27	14	164	67	300	335	5 - 15	5 - 35	180	17	20
267.0	264.5 - 269.5	24	12	164	67	322	357	5 - 15	5 - 35	180	17	20
273.0	270.5 - 275.5	21	12	164	67	328	364	5 - 15	5 - 35	180	17	20
323.9	320.5 - 327.0	18	10	164	67	379	416	5 - 15	5 - 35	230	17	20
355.6	352.0 - 359.0	17	8	164	67	411	449	5 - 15	5 - 35	230	17	20
406.4	402.5 - 410.5	14	8	164	67	461	499	5 - 15	5 - 35	230	17	20
457.2	452.5 - 462.0	8	6	164	67	512	551	5 - 15	5 - 35	250	17	20