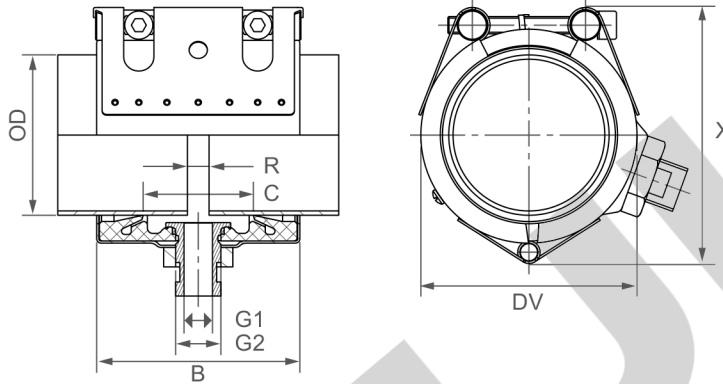


STRAUB-OPEN-FLEX 1 GT

(with side outlet)

Components / Materials	W1	W2	W4	W5
Casing		AISI 316 L or similar		AISI 316 L or similar
Bolts		AISI 4135		A4 - 80
Bars		AISI 12L14, galvanised		AISI 316 L

Sealing sleeve	Temp.:	-20°C up to +70°C
EPDM	Medium:	all qualities of water, waste water, air, solids and chemical products
Sealing sleeve	Temp.:	-20°C up to +70°C
NBR	Medium:	water, gas, oil, fuel and other hydrocarbons



OD [mm]	Clamping range [mm]	PN [bar]	B [mm]	C [mm]	DV [mm]	X [mm]	G1 [Zoll]	G2 [Zoll]	Torque rate [Nm]
73.0	71.5 - 74.5	16	94	51	95	119	1/4	1/2	10
76.1	74.5 - 77.5	16	94	51	98	123	1/4	1/2	10
84.0	82.5 - 85.5	16	94	51	106	131	1/4	1/2	10
88.9	87.5 - 90.5	16	94	51	111	136	1/4	1/2	10
100.6	99.0 - 102.5	16	94	51	123	148	1/4	1/2	10
101.6	100.0 - 103.5	16	94	51	124	148	1/4	1/2	10
104.0	102.5 - 105.5	16	94	51	126	152	1/4	1/2	10
104.8	103.0 - 106.5	16	94	51	127	152	1/4	1/2	10
108.0	106.5 - 109.5	16	94	51	130	156	1/4	1/2	10
114.3	112.5 - 116.0	16	94	51	136	162	1/4	1/2	10
118.0	116.0 - 120.0	16	94	51	140	166	1/4	1/2	10
127.0	125.0 - 129.0	16	107	62	149	179	3/4	1	12
129.0	127.0 - 131.0	16	107	62	151	181	3/4	1	12
130.2	128.5 - 132.0	16	107	62	152	181	3/4	1	12
133.0	131.0 - 135.0	16	107	62	155	189	3/4	1	12
139.7	138.0 - 141.5	16	107	62	162	192	3/4	1	12
141.3	139.5 - 143.0	16	107	62	163	192	3/4	1	12
154.0	152.0 - 156.0	16	107	62	176	207	3/4	1	12
159.0	157.0 - 161.0	16	107	62	181	212	3/4	1	12
168.3	166.0 - 170.5	16	107	62	190	225	3/4	1	12