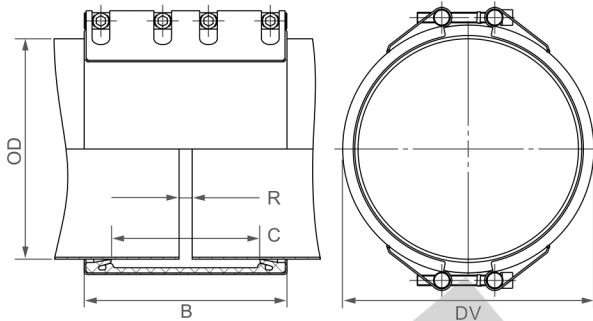


Components / Materials	W1	W2	W4	W5
Casing	S355MC, hot-dip galvanised			AISI 316 L or similar
Bolts	AISI 4135			A4 - 80
Bars	AISI 12L14, galvanised			AISI 316 L or similar
Strip insert	AISI 316 L or similar / HDPE			AISI 316 L or similar / HDPE
<b>Sealing sleeve</b> <b>EPDM</b>	Temp.: -20°C up to +100°C Medium: all qualities of water, waste water, air, solids and chemical products			
<b>Sealing sleeve</b> <b>NBR</b>	Temp.: -20°C up to +80°C Medium: water, gas, oil, fuel and other hydrocarbons			



B ⇨ 310 up to 311 mm  
 DV ⇨ OD + 38 mm  
 C ⇨ 227 mm  
 R with strip insert ⇨ 120 mm  
 R without strip insert ⇨ 20 mm

	W1 or W5
	only in W5 available

OD [mm]	Clamping range [mm]	PN					
		2.5	6	10	16	20	25
323.9	320 - 327						
355.6	352 - 370						
406.4	402 - 410						
457.2	453 - 461						
508.0	504 - 512						
558.8	555 - 563						
609.6	605 - 614						
655.0	651 - 659						
711.2	707 - 715						
762.0	758 - 766						
812.8	809 - 817						
914.4	910 - 918						
1016.0	1011 - 1021						
1117.6	1112 - 1123						
1219.2	1214 - 1224						
1320.8	1316 - 1325						
1422.4	1417 - 1427						
1524.0	1519 - 1529						
1600.0	1595 - 1605						
1625.0	1620 - 1630						
1727.2	1722 - 1732						
1828.8	1824 - 1834						
1930.4	1925 - 1935						
2032.0	2026 - 2038						
2268.0	2262 - 2274						
2540.0	2534 - 2546						
2794.0	1788 - 2800						
3048.0	3042 - 3054						
3302.0	3296 - 3308						
3556.0	3550 - 3562						
3810.0	3804 - 3816						
4064.0	4058 - 4070						

**Versions:**

PN						2piece casing [mm]	3piece casing [mm]
2.5	6	10	16	20	25		
x	x	x	x	x	x	≤3048.0	>3048.0