

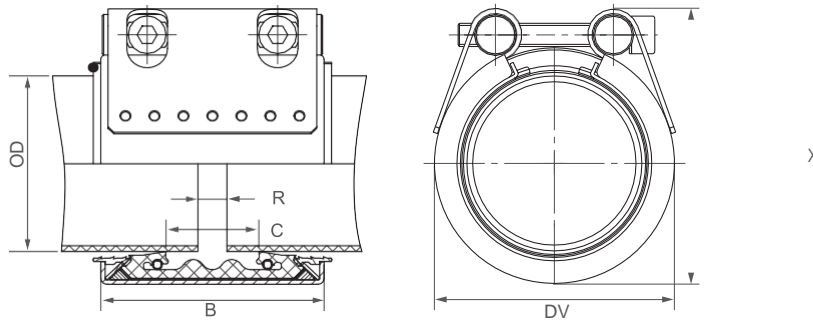
Technical Data Sheet

STRAUB-PLAST GRIP

∅ 40.0 - 355.0 mm

Components / Materials	W1	W2	W4	W5
Casing		AISI 316 L		AISI 316 L or similar
Bolts		AISI 4135		A4 - 80
Bars		AISI 12L14, galvanised		AISI 316 L or similar
Anchoring rings		AISI A106, galvanised		AISI 301 / 304
Strip insert (option)		AISI 316 L or similar / PVDF		AISI 316 L or similar / PVDF

Sealing sleeve	Temp:	-20°C up to +100°C
EPDM	Medium:	all qualities of water, waste water, air, solids and chemical products
Sealing sleeve	Temp:	-20°C up to +80°C
NBR	Medium:	water, gas, oil, fuel and other hydrocarbons



OD [mm]	Clamping range [mm]	PN [bar]	B [mm]	C [mm]	DV [mm]	X [mm]	R without strip insert [mm]	R with strip insert [mm]	Torque rate [Nm]	Allen head [mm]	Thread M...
40.0	39.0 - 40.5	16	61	19	60	73	5	5 - 15	15	6	8
50.0	49.0 - 50.5	16	61	26	70	83	5	5 - 15	15	6	8
63.0	62.0 - 64.0	16	76	32	85	98	5 - 10	5 - 20	20	6	8
75.0	74.0 - 76.0	16	94	39	99	117	5 - 10	5 - 25	25	8	10
90.0	89.0 - 91.0	16	94	39	118	123	5 - 10	5 - 25	25	8	10
110.0	109.0 - 111.0	16	94	39	135	151	5 - 10	5 - 25	25	8	10
114.3	113.0 - 115.0	16	94	39	139	157	5 - 10	5 - 30	25	10	12
125.0	124.0 - 126.0	16	94	43	152	174	5 - 15	5 - 30	60	10	12
140.0	139.0 - 142.0	16	108	43	168	191	5 - 15	5 - 30	60	10	12
160.0	159.0 - 162.0	16/10 *	109	43	188	210	5 - 15	5 - 25	60	10	12
180.0	178.0 - 182.0	16	141	80	207	226	5 - 15	5 - 35	60	10	12
200.0	198.0 - 202.0	16	141	80	227	246	5 - 15	5 - 35	60	10	12
225.0	223.0 - 227.0	10	141	80	252	271	5 - 15	5 - 35	60	10	12
250.0	248.0 - 252.0	10	141	80	277	296	5 - 15	5 - 35	60	10	12
280.0	278.0 - 282.0	10	141	80	307	330	5 - 15	5 - 35	100	14	16
315.0	313.0 - 317.0	10	141	80	342	365	5 - 15	5 - 35	120	14	16
355.0	353.0 - 357.0	6	141	80	382	405	5 - 15	5 - 35	150	14	16